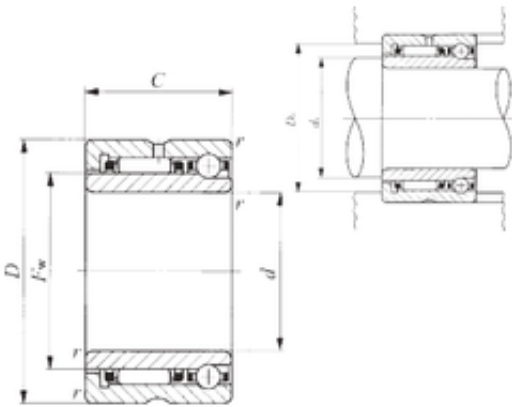


45 mm x 68 mm x 30 mm d IKO NATA 5909  
complex bearings



NATA 5909 Bearing 2D drawings and 3D CAD models

Bearing No. NATA 5909

Size	45x68x30 mm
Bore Diameter	45 mm
Outer Diameter	68 mm
Width	30 mm
d	45 mm
Fw	55 mm
D	68 mm
B	30 mm
C	30 mm
r min.	0,6 mm
da min.	49 mm
Da max.	64 mm
Weight	0,41 Kg
Dynamic load rating radial (C)	32,6 kN
Dynamic load rating axial (C)	5,45 kN
Static load rating radial (C0)	68,5 kN
Static load rating axial (C0)	12,7 kN